

Vertical twin-shaft mixer

patented

Very gentle and best mixing quality for dry, moist and viscous materials at variable filling levels

For materials with explosive dust, tip speed less than 1 m/s!

The spiral mixing blade initiates a three-dimensional rearrangement of the mixing goods. This vertical mixer guarantees best mixing results. It can be used for dry powder, wet suspensions as well as liquids, paste and dough.

The mixer can be designed to conform with FDA-standards to be used as a sterile mixer and reactor which also meets EHEDG requirements and the 3-a-sanitary standards.

SinConcave® spiral blade (patented), driven and supported from above with the advantage of complete discharge

Liquid lance sprays into the active chopper area

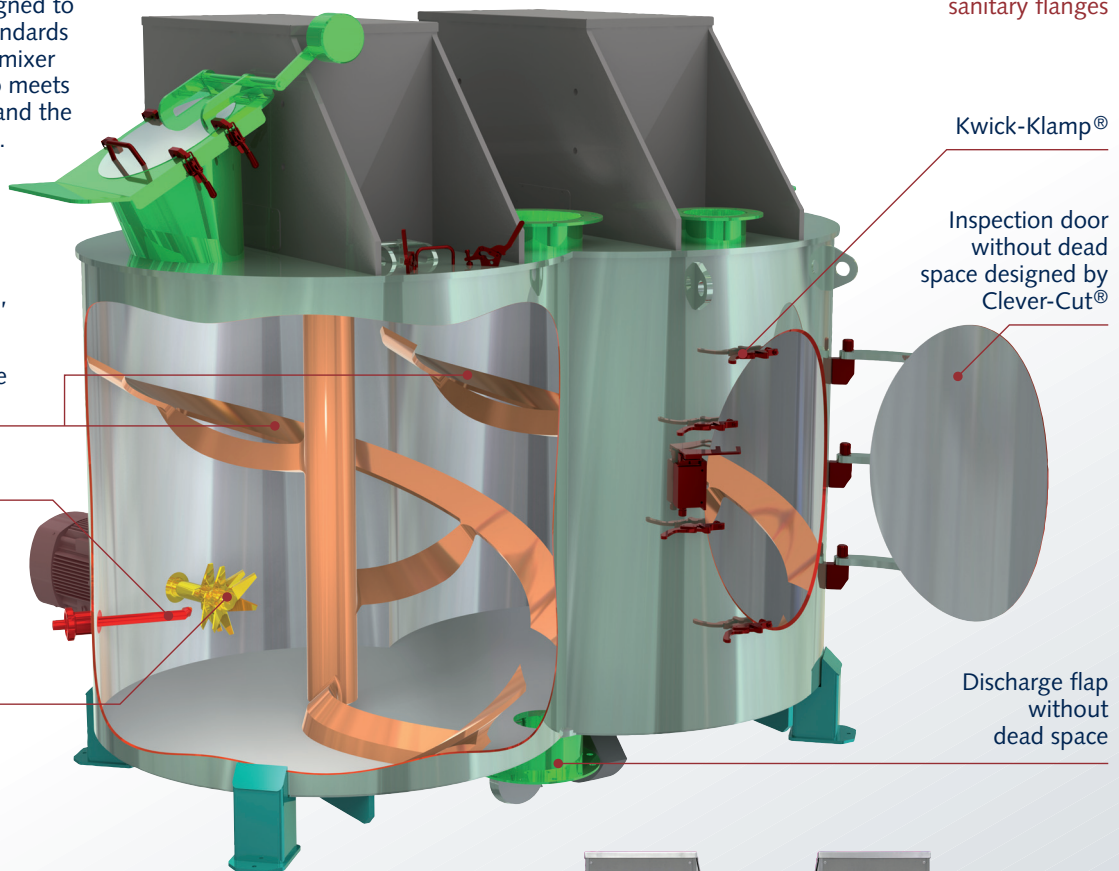
Choppers to improve the mixing process by deagglomeration

Rotational washing nozzles, dismountable via sanitary flanges

Kwick-Klump®

Inspection door without dead space designed by Clever-Cut®

Discharge flap without dead space



New!

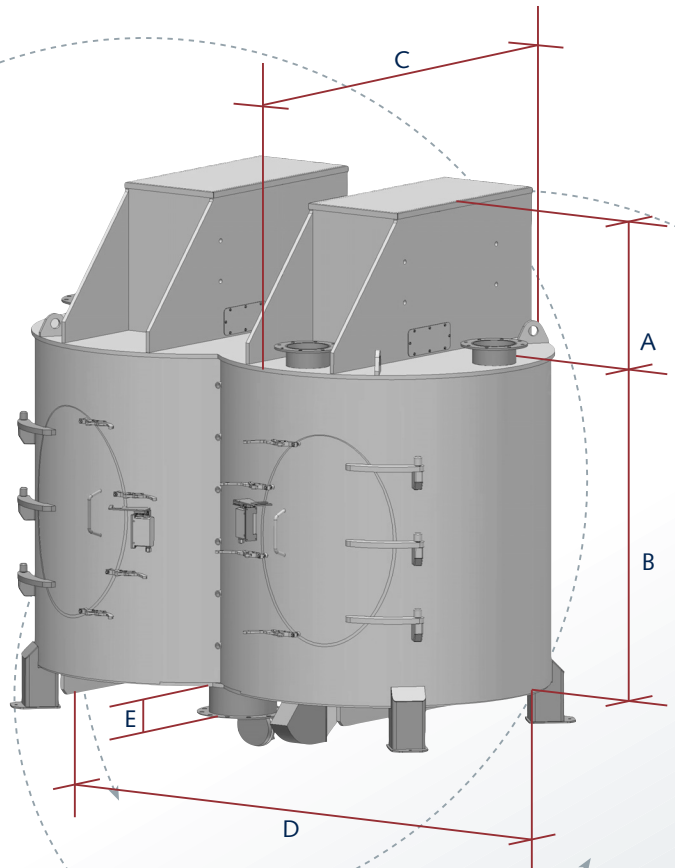
SinConvex® spiral blades (patented), meet the sine curve, creating ideal mixing qualities and best discharge ability

Model HM 4000 pressure shock resistant



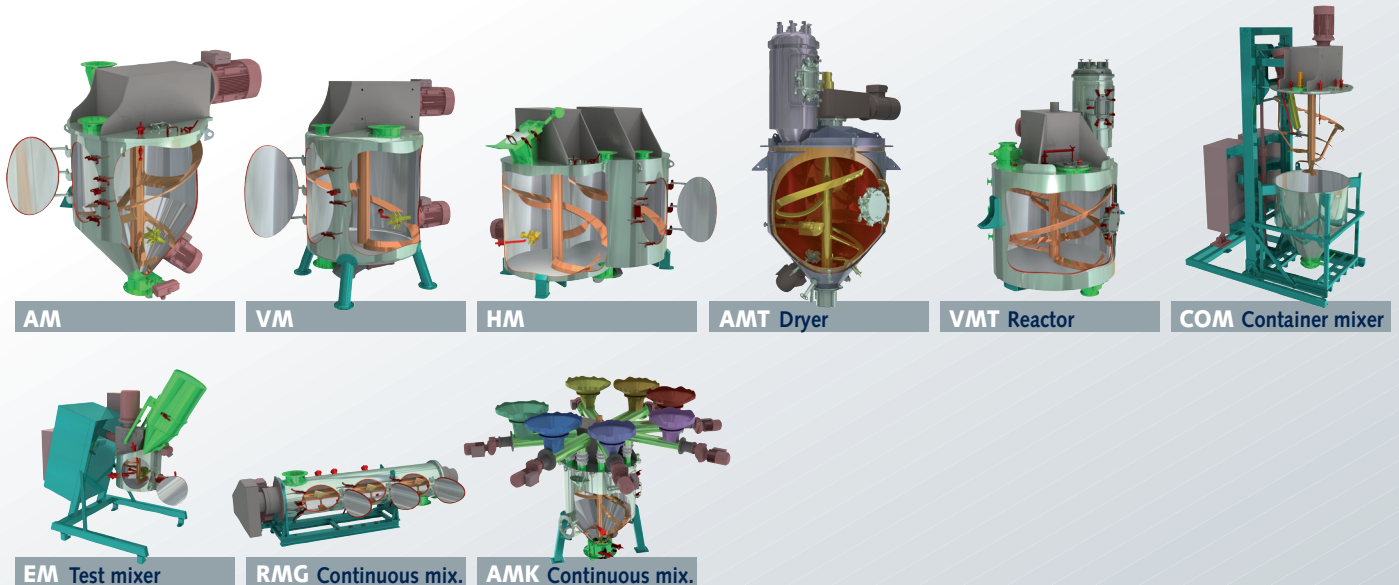
Vertical twin-shaft mixer, Model HM

Model	ca. dimensions in mm, ca. weight in kg					Weight
	A	B	C	D	E	
100	300	480	800	800	145	900
200	350	580	1000	1000	145	1000
400	420	745	1200	1250	145	1300
600	450	840	1300	1450	145	1600
800	450	900	1350	1550	145	2000
1000	550	1000	1500	1700	145	3000
1500	550	1120	1600	1900	145	3500
2000	600	1260	1850	2150	145	4500
2500	600	1220	2000	2450	145	5800
3000	600	1420	2000	2450	145	6200
4000	700	1560	2300	2700	145	6500
5000	750	1670	2400	2900	145	6800
6000	750	1800	2600	3100	145	8000
7000	800	1880	2700	3200	145	8500
8000	800	1850	2800	3400	145	9500
10000	900	2100	3000	3600	145	11000
12000	900	2100	3100	3900	145	13000
15000	900	2200	3200	4400	145	18000
20000	900	2600	3800	5600	145	32000



Interim sizes are offered in 100 litre steps. Bigger mixers up to 50 000 litres are available on demand. Depending on the user needs the mixer weight may be lower or higher. Please ask for individual dimension sheets.

On request different designs are available, such as slim or low profiled mixing chambers.



amixon® test laboratories are available in Paderborn, Germany, in Memphis, USA and in Osaka, Japan. On request amixon can prepare detailed qualification documents.

We reserve the right to make changes due to progress in process engineering and manufacturing technology.
© by amixon GmbH, Paderborn. Reprinting or transfer to electronic media only permitted after written approval.

amixon® GmbH
Halberstädter Straße 55
D-33106 Paderborn (Germany)
Phone +49 (0) 52 51 / 68 88 88-0
Fax +49 (0) 52 51 / 68 88 88-999
e-mail info@amixon.de
www.amixon.com